

PC Type Crystal Oscillator Programmable 3.2 x 2.5 mm Frequency 1MHz to 200MHz

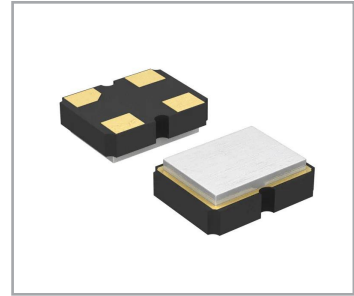
STARWAVE

FEATURE

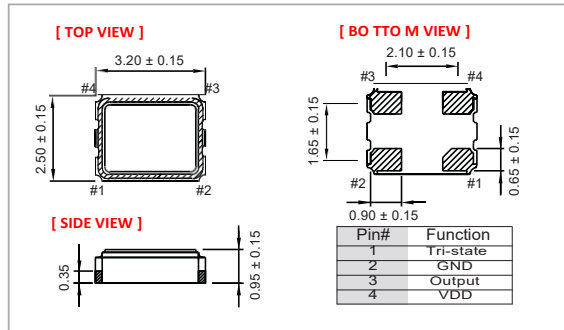
- Typical 3.2 x 2.5 x 0.95 mm ceramic SMD package
- Operation supply voltage: 1.8V, 2.5V and 3.3V
- FASTXO series, Fast delivery at any frequency
- Tri-State Enable/Disable
- Frequency Stability ± 25 ppm over -40°C to 105°C
- Pb-free/RoHS compliant

TYPICAL APPLICATION

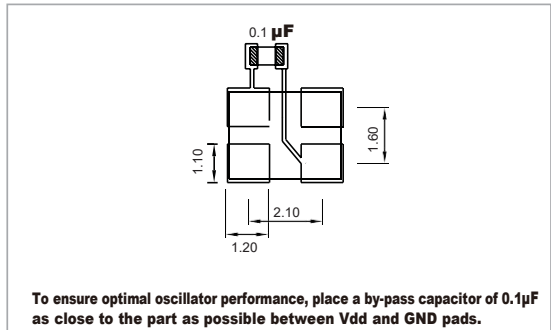
- Computer Peripherals
- Set-top Box , HDTV
- DSC, PDA



DIMENSION (mm)



SOLDER PAD LAYOUT (mm)



ELECTRICAL SPECIFICATION

Parameter	3.3V		2.5V		1.8V		Unit	
	Min.	Max.	Min.	Max.	Min.	Max.		
Supply Voltage Variation	$V_{DD}-5\%$	$V_{DD}+5\%$	$V_{DD}-5\%$	$V_{DD}+5\%$	$V_{DD}-5\%$	$V_{DD}+5\%$	V	
Frequency Range	1	200	1	200	1	125	MHz	
Supply Current (@15pf Loading)	-	35	-	30	-	20	mA	
Output Level	Output High	$90\%V_{DD}$	-	$90\%V_{DD}$	-	$90\%V_{DD}$	V	
	Output Low	-	$10\%V_{DD}$	-	$10\%V_{DD}$	-	$10\%V_{DD}$	
Transition Time	Rise Time / Fall Time		2	-	2	-	3	nSec
Duty Cycle	45	55	45	55	45	55	%	
Startup Time	-	8	-	8	-	8	mSec	
Tri-State	Output Enable	$0.7 \times V_{DD}$	-	$0.7 \times V_{DD}$	-	$0.7 \times V_{DD}$	V	
	Output Disable	-	$0.3 \times V_{DD}$	-	$0.3 \times V_{DD}$	-	$0.3 \times V_{DD}$	
Stand by Current (@PD Mode)	-	400	-	400	-	400	µA	
Stand by Current (@OE Mode)	-	20	-	20	-	20	mA	
Output Loading	15		15		15		pf	
RMS Phase Jitter (12KHz to 20MHz)	-	2	-	2	-	2	pSec	
Aging (@ 25°C, First Year)	-	± 3	-	± 3	-	± 3	ppm	
Storage Temp. Range	-50	+125	-50	+125	-50	+125	°C	

Standard frequencies are frequencies which the crystal has been designed and does not imply a stock position.
+ Transition times are measured between 10% and 90% of VDD, with an output load of 15pF.

FREQ. STABILITY vs. TEMP. RANGE

Temp. ppm (°C)	± 15	± 20	± 25	± 50
-20~+70	△	○	○	○
-40~+85	×	△	○	○
-40~+105	×	△	○	○

*O: Available △: Conditional X: Not available
*Inclusive of calibration @ 25 °C, operating temperature range, input Voltage variation, load variation, aging (1st year), shock, and vibration

Note: not all combination of options are available. Other specifications may be available upon request.

PC Type Crystal Oscillator

Programmable 3.2 x 2.5 mm

Frequency 1MHz to 200MHz



Ordering Information

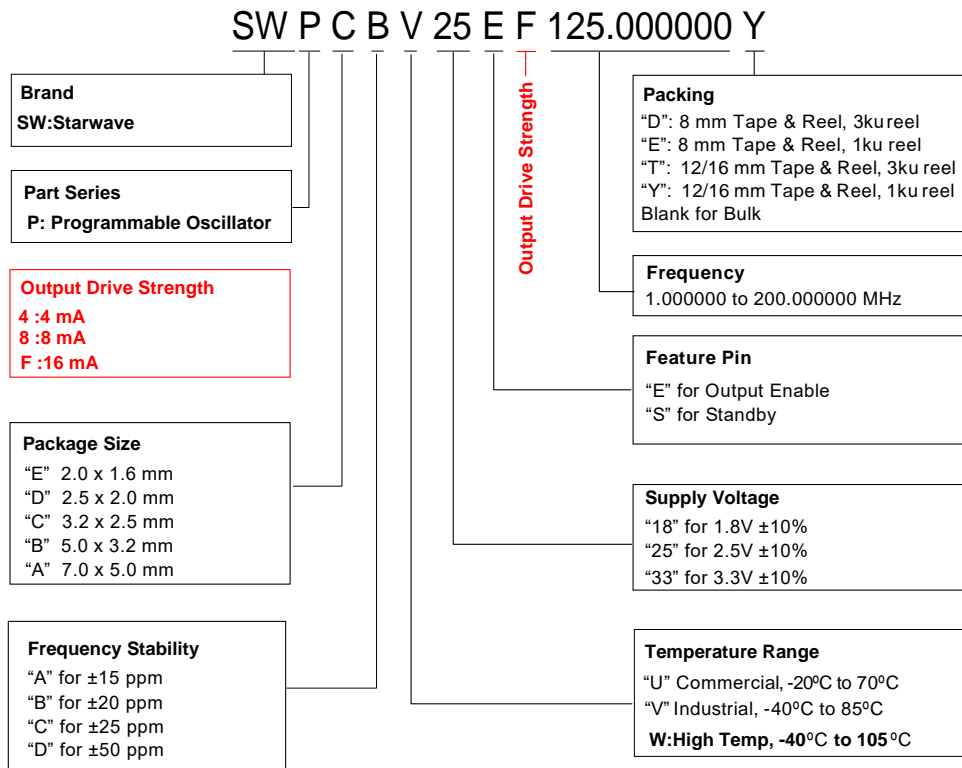


Table 13. Ordering Codes for Supported Tape & Reel Packing Method

Device Size (mm x mm)	16 mm T&R (3ku)	16 mm T&R (1ku)	12 mm T&R (3ku)	12 mm T&R (1ku)	8 mm T&R (3ku)	8 mm T&R (1ku)
2.0 x 1.6	-	-	-	-	D	E
2.5 x 2.0	-	-	-	-	D	E
3.2 x 2.5	-	-	-	-	D	E
5.0 x 3.2	-	-	T	Y	-	-
7.0 x 5.0	T	Y	-	-	-	-